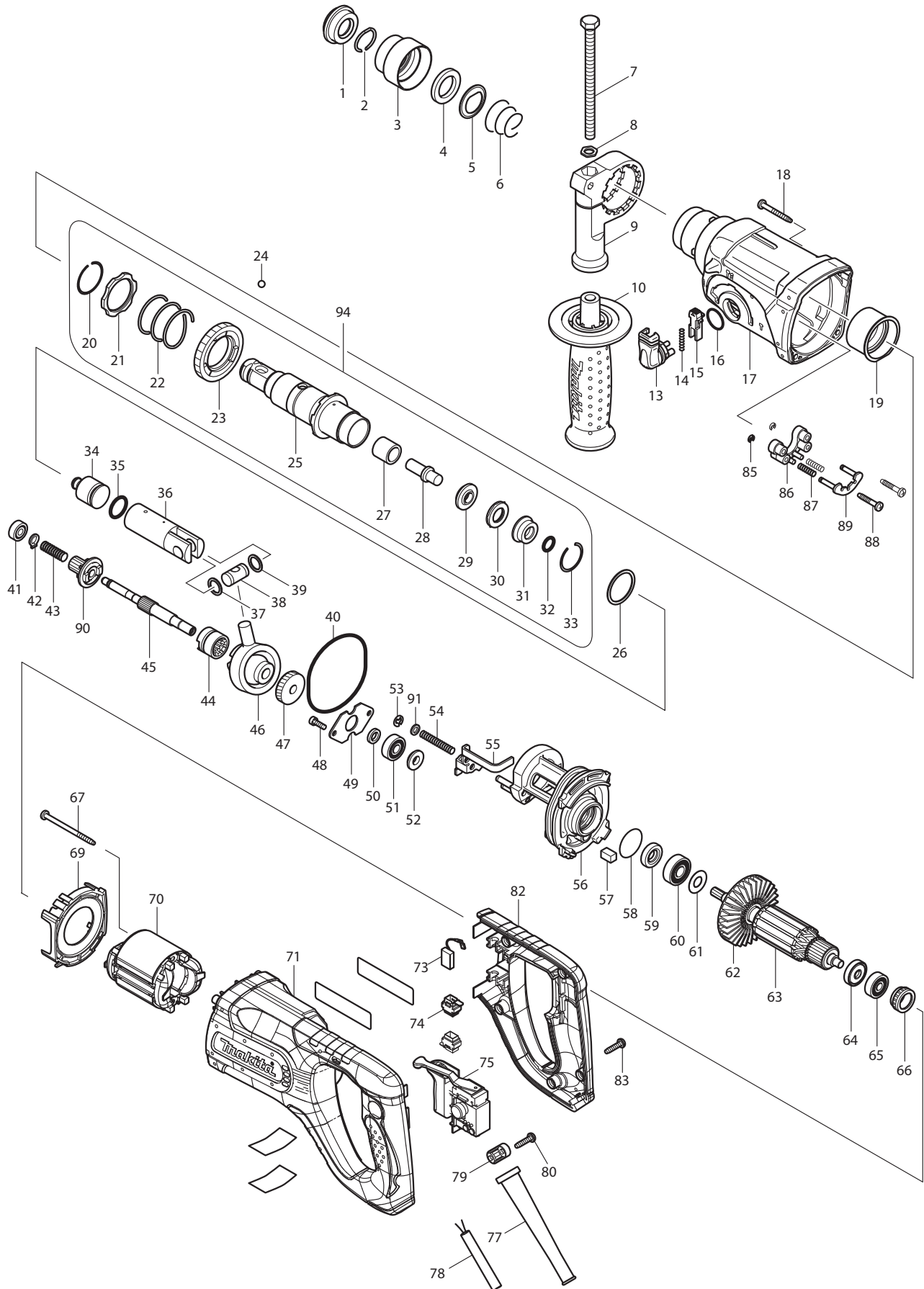




11 - 2010

HR2475

SDS-PLUS 1" ROTARY HAMMER



Item No	Type	Ref	Part No	Description	Qty	Unit
1			286263-4	CAP 35	1	PC.
2			233940-9	RING SPRING 19	1	PC.
3			417629-9	CHUCK COVER	1	PC.
4			257241-1	RING 21	1	PC.
5			345187-4	GUIDE WASHER	1	PC.
6			233916-6	CONICAL COMP. SPRING 21-29	1	PC.
7			921923-8	HEX. BOLT M8X120	1	PC.
8			345280-4	HEX. WASHER	1	PC.
9			417630-4	GRIP BASE	1	PC.
10			158057-6	GRIP 36 COMPLETE	1	PC.
		INC.	931402-8	HEX. NUT M8	1	PC.
13			162245-9	CHANGE LEVER	1	PC.
14			233459-8	COMPRESSION SPRING 3	1	PC.
15			419192-8	LOCK BUTTON	1	PC.
16			213278-8	O RING 17	1	PC.
17			158216-2	GEAR HOUSING COMPLETE	1	PC.
	1	INC.	213965-9	OIL SEAL 25 (TYPE 1)	1	PC.
	2	INC.	213345-9	OIL SEAL 25 (TYPE 2)	1	PC.
18			266351-3	TAPPING SCREW 4X35	4	PC.
19			153290-5	NEEDLE BEARING COMPLETE	1	PC.
20			233929-7	RING SPRING 29	1	PC.
21	1		267791-8	WASHER 31	1	PC.
	2		267460-1	WASHER 31	1	PC.
22			233401-9	COMPRESSION SPRING 32	1	PC.
23			227109-5	SPUR GEAR 51	1	PC.
24			216022-2	STEEL BALL 7.0	1	PC.
25			158574-6	TOOL HOLDER COMPLETE	1	PC.
26			267229-3	FLAT WASHER 28	1	PC.
27			331769-8	SLEEVE 9	1	PC.
28			324669-9	IMPACT BOLT	1	PC.
29			324402-9	RING 10	1	PC.
30			421955-0	CUSHION RING 13	1	PC.
31			324216-6	O RING CASE	1	PC.
32			213073-6	O RING 9	1	PC.
33			233917-4	RING SPRING 28	1	PC.
34			324733-6	STRIKER	1	PC.
35			213227-5	O RING 16	1	PC.
36			318132-2	PISTON CYLINDER	1	PC.
37			267104-3	FLAT WASHER 12	1	PC.
38			324215-8	PISTON JOINT	1	PC.
39			267104-3	FLAT WASHER 12	1	PC.
40			213727-5	O-RING 63	1	PC.
41	1		211012-0	BALL BEARING 606ZZ	1	PC.
	2		210028-2	BALL BEARING 606ZZ	1	PC.
42			961003-8	RETAINING RING S-7	1	PC.
43			233343-7	COMPRESSION SPRING 7	1	PC.
44	2		331992-5	CLUTCH CAM	1	PC.
45			324668-1	CAM SHAFT	1	PC.
46			219014-0	SWASH BEARING 10	1	PC.
47			226550-9	HELICAL GEAR 26	1	PC.
48			266273-7	HEX. SOCKET HEAD BOLT M4X12	2	PC.
49			345179-3	BEARING RETAINER	1	PC.
50			267234-0	FLAT WASHER 8	1	PC.
51	1		211032-4	BALL BEARING 608ZZ	1	PC.

Item No	Type	Ref	Part No	Description	Qty	Unit
	2		210029-0	BALL BEARING 608ZZ	1	PC.
52			324212-4	RING 8	1	PC.
53			961011-9	STOP RING E-4	1	PC.
54			233342-9	COMPRESSION SPRING 6	1	PC.
55			345363-0	CHANGE PLATE	1	PC.
56	1		158215-4	INNER HOUSING COMPLETE	1	PC.
	2		141574-3	INNER HOUSING COMPLETE	1	PC.
57	1		443126-9	FELT (OLD) (F/TYPE 1 INNER HOUSING COM. #158215-4)	1	PC.
58			213407-3	O RING 26	1	PC.
59	1		213994-2	OIL SEAL 10 (TYPE 1) - N/L/A	1	PC.
	2		213077-8	OIL SEAL 10 (TYPE 2)	1	PC.
60			210059-1	BALL BEARING 6000DDW	1	PC.
61			267213-8	FLAT WASHER 10	1	PC.
62			240092-9	FAN 64	1	PC.
63			515786-8	ARMATURE ASS'Y 115V	1	PC.
		INC.		Item No. 60-62, 64, 65	1	PC.
64			681636-0	INSULATION WASHER	1	PC.
65			211021-9	BALL BEARING 607LLB	1	PC.
66			421494-0	RUBBER RING 19	1	PC.
67			266334-3	TAPPING SCREW 4X60	2	PC.
69			419716-0	BUFFLE PLATE	1	PC.
70			633711-8	FIELD 115V	1	PC.
71			451246-5	MOTOR HOUSING	1	PC.
73			195007-0	CARBON BRUSH CB-407 2PC/SET, W/O ORIGIN	1	SET
74			643936-6	BRUSH HOLDER	2	PC.
75			650508-0	SWITCH TG813TLB-1	1	PC.
77			682559-5	CORD GUARD 8	1	PC.
78			664895-1	CORD W/PLUG 2P-18-4.0M, SJ	1	PC.
79			687123-7	STRAIN RELIEF	1	PC.
80			265995-6	TAPPING SCREW 4X18	2	PC.
82			451247-3	HANDLE COVER	1	PC.
83			265995-6	TAPPING SCREW 4X18	5	PC.
85			961017-7	STOP RING E-3	2	PC.
86			417796-0	GUIDE BASE	1	PC.
87			233344-5	COMPRESSION SPRING 4	2	PC.
88			266374-1	TAPPING SCREW 4X25	2	PC.
89			163430-7	LOCK PLATE COMPLETE	1	PC.
90			227179-4	SPUR GEAR 10	1	PC.
91			941102-2	FLAT WASHER 5	1	PC.
94	1		122881-3	TOOL HOLDER ASS'Y	1	PC.
		INC.		Item No. 20-23, 25, 27-33	1	PC.
	2		123100-0	TOOL HOLDER ASS'Y	1	PC.
		INC.		Item No. 20-23, 25, 27-33	1	PC.
100			654069-2	RECEPTACLE	2	PC.

ACCESSORIES

- See catalogue or visit www.makita.ca for more accessories information -

A01			324219-0	DEPTH GAUGE	1	PC.
A02			824695-3	PLASTIC CARRYING CASE	1	PC.
		INC.	417723-7	HANDLE	1	PC.
		INC.	324319-6	SHAFT	1	PC.
		INC.	417724-5	LATCH	2	PC.
A03			D-14093	CHUCK ADAPTER ASSY(SDS-PLUS)	1	PC.
A04			122574-2	1/2" DRILL CHUCK ASS'Y(W/SDS-PLUS CHUCK ADAPTOR)	1	PC.
		INC.	192877-8	1/2" DRILL CHUCK , PKGD (OLD#763047-2(BULK))	1	PC.

Item No	Type	Ref	Part No	Description	Qty	Unit
		INC.	251425-3	- FLAT HEAD SCREW M6X22	1	PC.
		INC.	751106-4	CHUCK ADAPTER	1	PC.
A05	1		192664-5	KEYLESS DRILL CHUCK	1	PC.
	2		194254-0	1/2" KEYLESS DRILL CHUCK SET	1	PC.
A06			P-80015	DUST EXTRACTOR ATTACHMENT	1	PC.
A07			256806-6	ROD 10	1	PC.
A08			421342-3	DUST CUP 5	1	PC.
A09			421664-1	DUST CUP 9	1	PC.
A10			421755-8	WATERPROOF COVER	1	PC.
A12			763432-9	CHUCK KEY S13 (Use with 122574-2)	1	PC.
A13			765009-6	BLOW-OUT BULB 64	1	PC.
A14	1		192278-0	HOSE COMPLETE 28-1.5, UNI	1	PC.
	2		A-34235	HOSE COMPLETE 28-1.5M SET W/FRONT CUFFS 22, 38	1	PC.
A15			P-80024	JOINT 25 (F/DUST COLLECTOR)	1	PC.
A16			256815-5	ROD 15	1	PC.
A17			324219-0	DEPTH GAUGE	1	PC.
A18			192892-2	KEYLESS DRILL CHUCK	1	PC.
A19			194580-7	DUSTCUP SET	1	PC.
A20			194582-3	GRIP BASE SET	1	PC.
		INC.	921919-9	HEX. BOLT M8X110	1	PC.
		INC.	419975-6	GRIP BASE 20	1	PC.
		INC.	122809-1	SPACER 20 ASS'Y	1	PC.
A21			194683-7	GREASE VESSEL SET, 100CC, PUMP TYPE, FOR BIT	1	PC.
A22			153503-4	GRIP 36 COMPLETE	1	PC.
A23			195116-5	HAMMER SERVICE KIT	1	PC.
		INC.	421955-0	CUSHION RING 13	1	PC.
		INC.	286263-4	CAP 35	1	PC.
		INC.	233917-4	RING SPRING 28	1	PC.
		INC.	216022-2	STEEL BALL 7.0	1	PC.
		INC.	213227-5	O RING 16	1	PC.
		INC.	213073-6	O RING 9	1	PC.
		INC.	195127-0	MAKITA GREASE RB NO.00 30G	2	PC.
		INC.	191927-6	CARBON BRUSH CB-407 (Use 195007-0 for Replacement)	1	SET